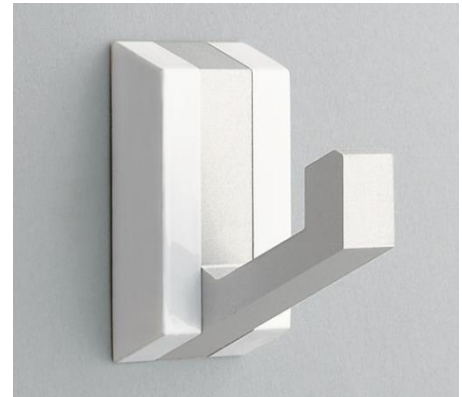
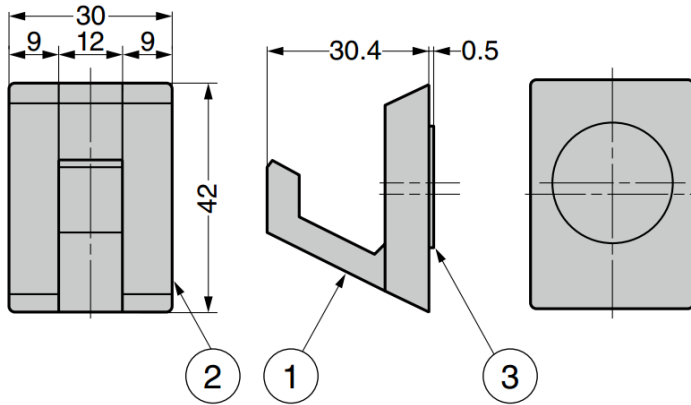


GMJ-30 Magnetic Hook

Features

- Hard-edged design
- Magnet covered with silicone prevents scratching of walls or panels
- Easy to remove by pulling down the hook tip towards you



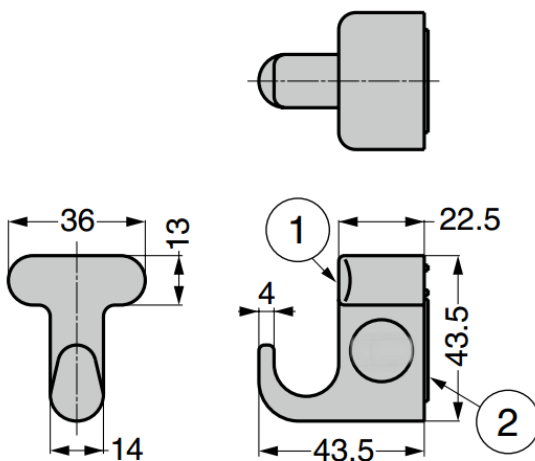
Part No.	Load Capacity	
GMJ-30	9.8 N	1 kg

No.	Part Name	Material	Finish
①	Hook	Aluminium Alloy	Matter Anodised
②	Body	ABS	White
③	Magnet	Neodymium	–

GMJ-45 Magnetic Hook

Features

- Prevents slippage by arranging two magnets in a T shape
- Available in three colours



No.	Part Name	Material	Colour
①	Body	ABS	Ivory/Orange/Brown
②	Yoke	Steel (SPCC)	–

Part No.	Colour	Load Capacity	
GMJ-45I	Ivory	19.6 N	2 kg
GMJ-45RA	Orange		
GMJ-45BR	Brown		